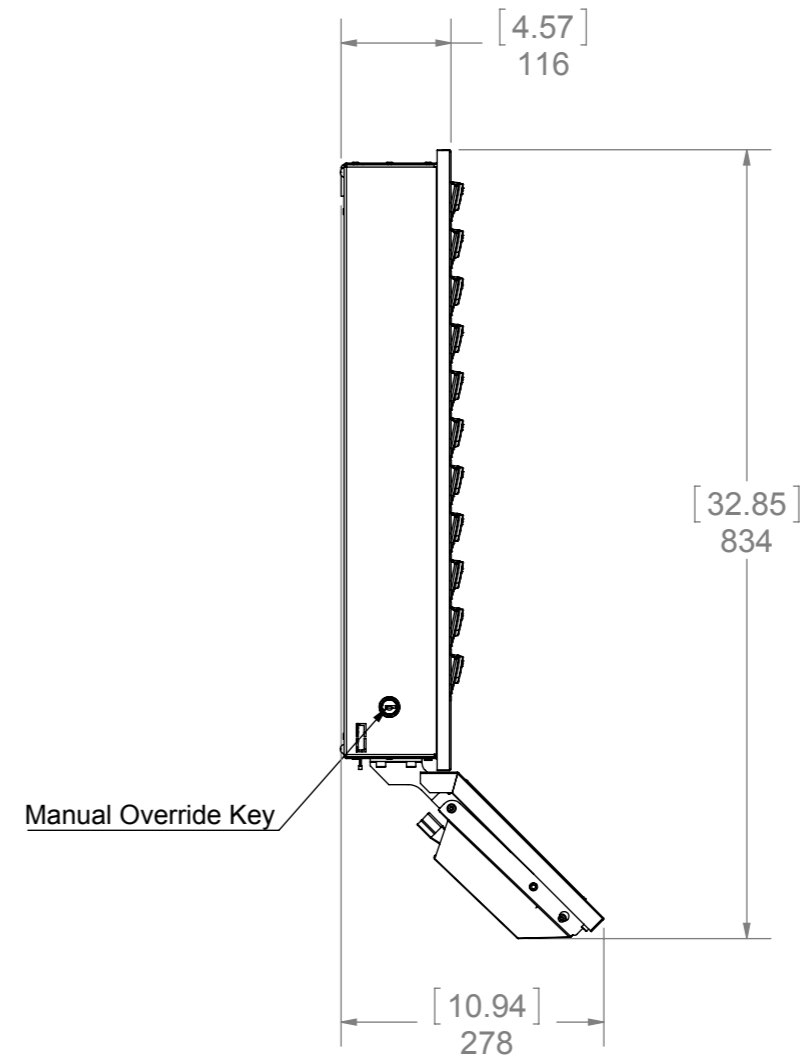
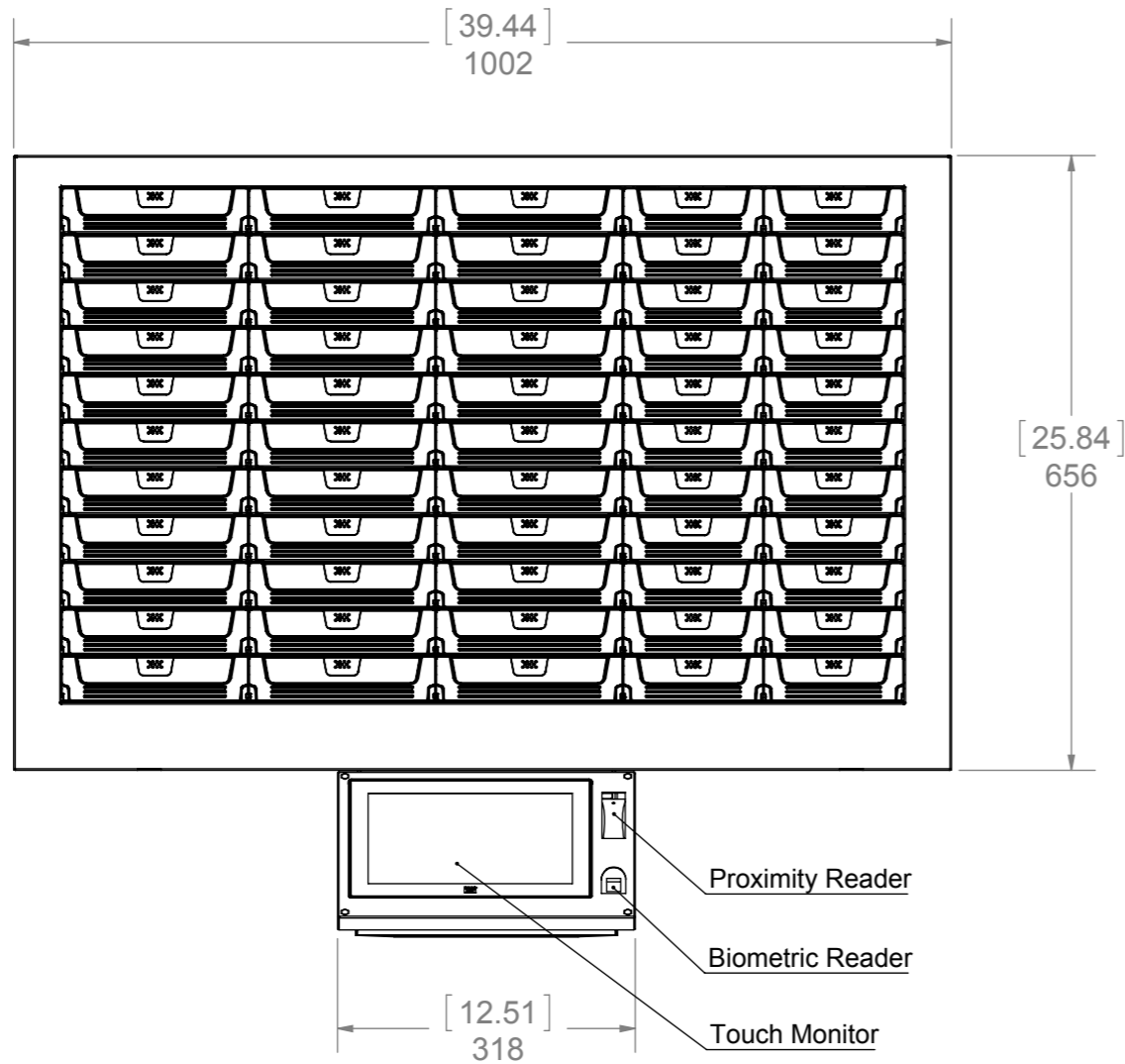
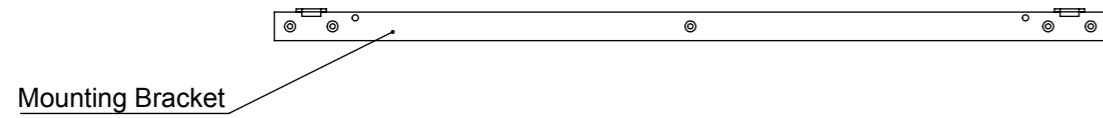


[INCH]
MM



Estimated Weight 77 lbs (35 kg)

MATRIX CABINET			FRAME MASTER				
SHAFIR PRODUCTION SYSTEMS							
DRAWN			DESCRIPTION				
CHECKED	Aharon Weill	16/05/2016					
MATERIAL			PROJECT	SCALE		SIZE	SHEET
FINISH			IS1951	1:8			